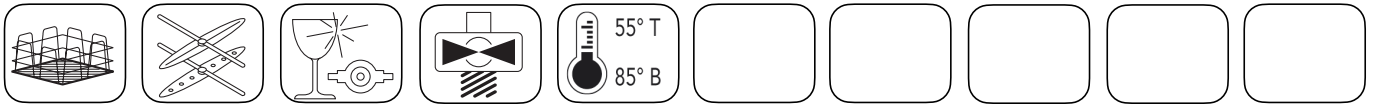


- |  |                               |
|--|-------------------------------|
| 1. Power cable entry 5x2,5 (400Vx3N/<br>230Vx3N/230Vx1-50Hz) | 3. Water loading pipe Ø3/4" G |
| 2. Water drain pipe Ø30 Hmax=45cm                            | 4. Equipotential              |
|  | 5. Dosing pumps entry         |



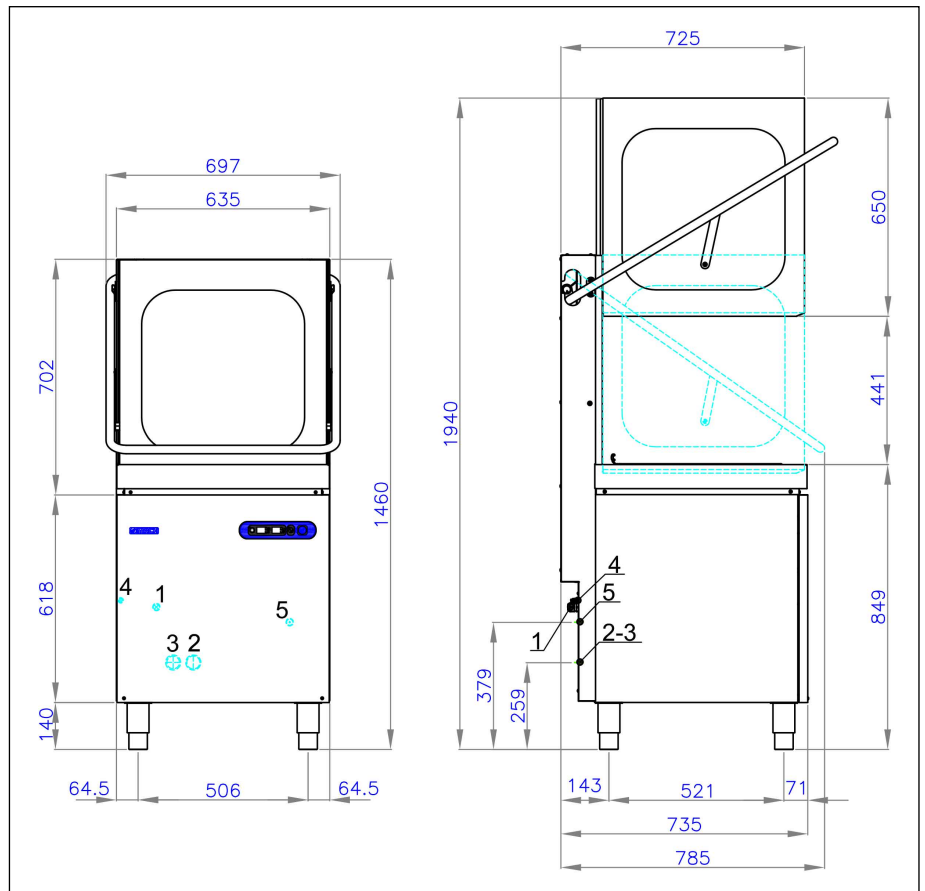
- Moulded wash tank with rounded corners and double wall (insulated hood upon request).
- Full-width wash tank filters.
- TOUCH control panel with 5 preset wash cycle times.
- Magnetic microswitch to cut out operation of the appliance when door is opened.
- Useful washing height 41 cm, dish Ø44 cm.
- Square basket 50x50 cm (supplied with 2 plate baskets, 1 flat basket, 2 cutlery holders).
- Independent lower/upper washing and rinsing arms.
- Washing cycle time 60-90-120-150-180 seconds (capacity 1200÷400 pz/h).
- Displays show the boiler and tank temperature.
- Countdown of the washing cycle underway in minutes and seconds.

- Standard built-in rinse-aid pump.
- Self-draining wash pump.
- Built-in insulated boiler made in AISI 304L stainless steel.
- Boiler and tank heating through thermostatically protected armoured heating elements (in exchange).
- The tank water heating is indirect (heating element is not inside the tank).
- Tank capacity lt. 25 and boiler capacity lt. 10.
- Water consumption per cycle lt. 3,5 - Water pressure input ATE 2,0-3,0 - Max temperature of inlet water 50°C.
- Tank heating element kW 3,0 - Boiler heating element kW 6,0 (Cold water input kW 9,0).
- Washing pump power Hp 1,2.
- Noise level at 1 mt. < 70 dbA.
- Total power kW 6,90.

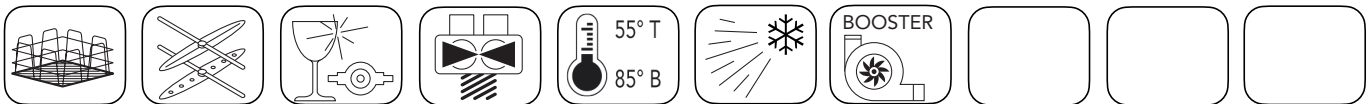
#### Note

Can be used in straight-line and corner installations in combination with prewash inlet tables and outlet tables.

**On request:** Automatic start on hood closing.



- |  |                               |
|--|-------------------------------|
| 1. Power cable entry 5x2,5 (400Vx3N/230Vx3N/230Vx1-50Hz) | 3. Water loading pipe Ø3/4" G |
| 2. Water drain pipe Ø30 Hmax=45cm                        | 4. Equipotential              |
|  | 5. Dosing pumps entry         |

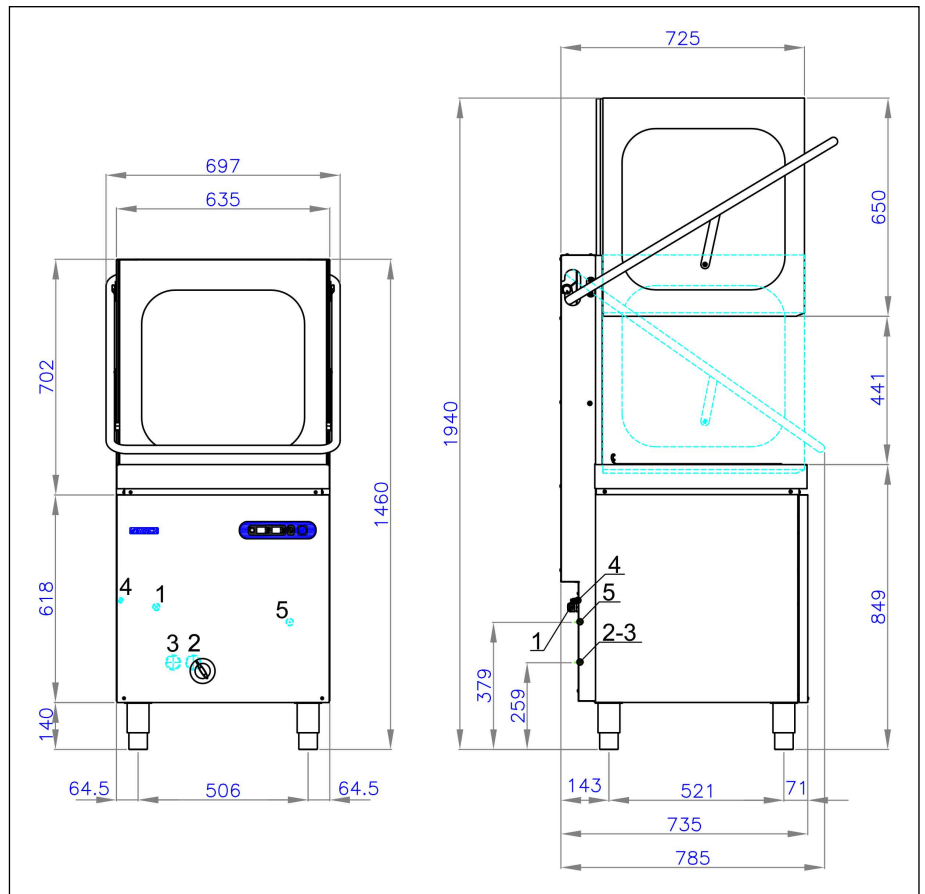


- Moulded wash tank with rounded corners and double wall (insulated hood upon request).
- Full-width wash tank filters.
- TOUCH control panel with 5 preset wash cycle times.
- Magnetic microswitch to cut out operation of the appliance when door is opened.
- Useful washing height 41 cm, dish Ø44 cm.
- Square basket 50x50 cm (supplied with 2 plate baskets, 1 flat basket, 2 cutlery holders).
- Independent lower/upper washing and rinsing arms.
- Timed manual cold rinse.
- Washing cycle time 60-90-120-150-180 seconds (capacity 1200÷400 pz/h).
- Displays show the boiler and tank temperature.
- Countdown of the washing cycle underway in minutes and seconds.
- Standard built-in rinse-aid pump.
- Self-draining wash pump.
- Booster pump and built-in insulated atmospheric rinse tank made in AISI 304L stainless steel.
- Boiler and tank heating through thermostatically protected armoured heating elements (in exchange).
- The tank water heating is indirect (heating element is not inside the tank).
- Tank capacity lt. 25 and boiler capacity lt. 13.
- Water consumption per cycle lt. 3,5 - Water pressure input ATE 2,0-3,0 - Max temperature of inlet water 50°C.
- Tank heating element kW 3,0 - Boiler heating element kW 6,0 (Cold water input kW 9,0).
- Washing pump power Hp 1,2.
- Booster pump power kW 0,30.
- Noise level at 1 mt. < 70 dbA.
- Total power kW 6,90.

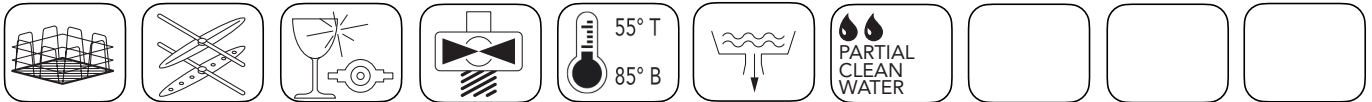
#### Note

Can be used in straight-line and corner installations in combination with prewash inlet tables and outlet tables.

**On request:** Automatic start on hood closing.



- |  |                               |
|--|-------------------------------|
| 1. Power cable entry 5x2,5 (400Vx3N/<br>230Vx3N/230Vx1-50Hz) | 3. Water loading pipe Ø3/4" G |
| 2. Water drain pipe Ø30 Hmax=45cm                            | 4. Equipotential              |
|  | 5. Dosing pumps entry         |

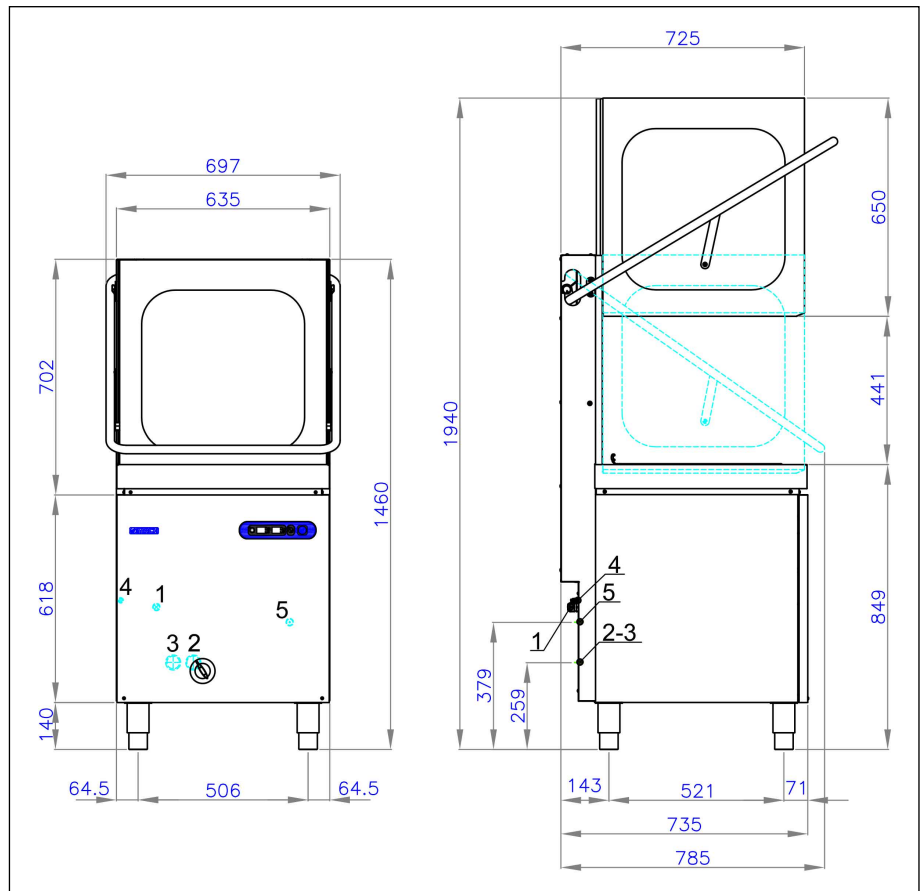


- Moulded wash tank with rounded corners and double wall (insulated hood upon request).
- Full-width wash tank filters.
- TOUCH control panel with 5 preset wash cycle times.
- Magnetic microswitch to cut out operation of the appliance when door is opened.
- Useful washing height 41 cm, dish Ø44 cm.
- Square basket 50x50 cm (supplied with 2 plate baskets, 1 flat basket, 2 cutlery holders).
- Independent lower/upper washing and rinsing arms.
- Washing cycle time 90-120-150-180-210 seconds (capacity 800÷340 pz/h).
- Displays show the boiler and tank temperature.
- Countdown of the washing cycle underway in minutes and seconds.
- Standard built-in rinse-aid pump.
- Self-draining wash pump.
- Built-in insulated boiler made in AISI 304L stainless steel.
- Boiler and tank heating through thermostatically protected armoured heating elements (in exchange).
- The tank water heating is indirect (heating element is not inside the tank).
- Included drain pump.
- Partial water change each cycle - automatic drainage of approx. 3,5 litres of (dirty) water between wash and rinse phase.
- Tank capacity lt. 25 and boiler capacity lt. 10.
- Water consumption per cycle lt. 3,5 - Water pressure input ATE 2,0-3,0 - Max temperature of inlet water 50°C.
- Tank heating element kW 3,0 - Boiler heating element kW 6,0 (Cold water input kW 9,0).
- Washing pump power Hp 1,2.
- Noise level at 1 mt. < 70 dbA.
- Total power kW 6,90.

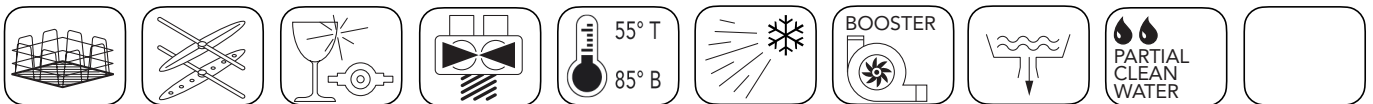
**Note**

Can be used in straight-line and corner installations in combination with prewash inlet tables and outlet tables.

**On request:** Automatic start on hood closing.



- |  |                               |
|--|-------------------------------|
| 1. Power cable entry 5x2,5 (400Vx3N/<br>230Vx3N/230Vx1-50Hz) | 3. Water loading pipe Ø3/4" G |
| 2. Water drain pipe Ø30 Hmax=45cm                            | 4. Equipotential              |
|  | 5. Dosing pumps entry         |



- Moulded wash tank with rounded corners and double wall (insulated hood upon request).
- Full-width wash tank filters.
- TOUCH control panel with 5 preset wash cycle times.
- Magnetic microswitch to cut out operation of the appliance when door is opened.
- Useful washing height 41 cm, dish Ø44 cm.
- Square basket 50x50 cm (supplied with 2 plate baskets, 1 flat basket, 2 cutlery holders).
- Independent lower/upper washing and rinsing arms.
- Timed manual cold rinse.
- Washing cycle time 90-120-150-180-210 seconds (capacity 800÷340 pz/h).
- Displays show the boiler and tank temperature.
- Countdown of the washing cycle underway in minutes and seconds.
- Standard built-in rinse-aid pump.
- Self-draining wash pump.
- Booster pump and built-in insulated atmospheric rinse tank made in AISI 304L stainless steel.
- Boiler and tank heating through thermostatically protected armoured heating elements (in exchange).
- The tank water heating is indirect (heating element is not inside the tank).
- Included drain pump.
- Partial water change each cycle - automatic drain of approx. 3,5 litres of (dirty) water between wash and rinse phase.
- Tank capacity lt. 25 and boiler capacity lt. 13.
- Water consumption per cycle lt. 3,5 - Water pressure input ATE 2,0-3,0 - Max temperature of inlet water 50°C.
- Tank heating element kW 3,0 - Boiler heating element kW 6,0 (Cold water input kW 9,0).
- Washing pump power Hp 1,2.
- Booster pump power kW 0,30.
- Noise level at 1 mt. < 70 dbA.
- Total power kW 6,90.

#### Note

Can be used in straight-line and corner installations in combination with prewash inlet tables and outlet tables.

**On request:** Automatic start on hood closing.