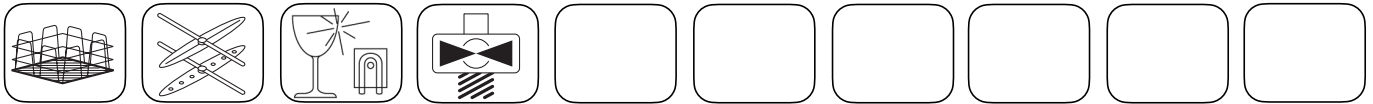


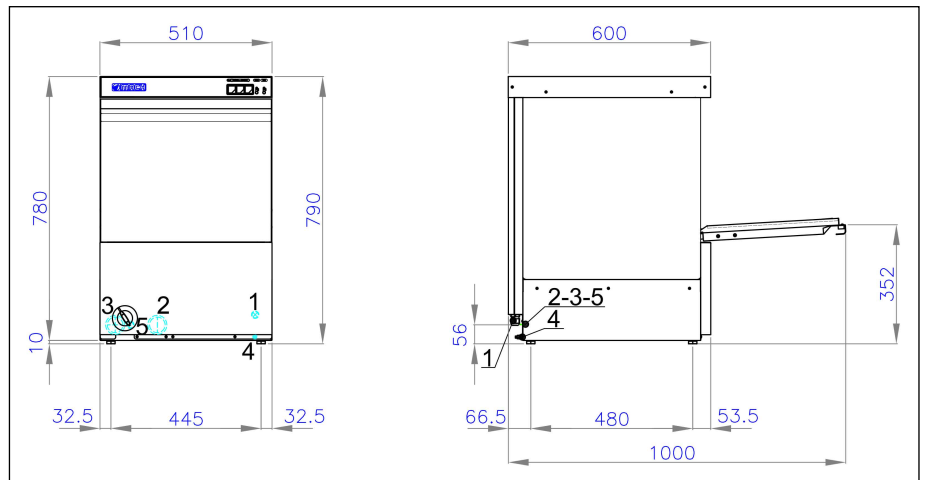
- | | |
|---|------------------------------|
| 1. Power cable entry 3x1,5
(230Vx1-50Hz) | 3. Water loading pipe Ø3/4"G |
| 2. Water drain pipe Ø30 Hmax=6 cm. | 4. Equipotential |
| | 5. Dosing pumps entry |



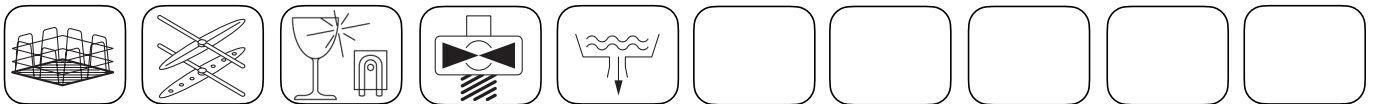
- Single wall.
- Tank with rounded corners.
- Fully automatic operation with electromechanical controls.
- Magnetic microswitch to cut out operation of the appliance when door is opened.
- Useful washing height 33 cm, dish Ø32 (Ø35 cm with basket M246).
- Square basket 45x45 cm. (supplied with 1 plate basket, 1 flat basket, 2 cutlery holders).
- Independent lower/upper washing and rinsing arms.
- Washing cycle time 120-180 seconds (capacity 420-280 pz/h).

- Standard built-in rinse-aid pump.
- Built-in insulated boiler made in AISI 304L stainless steel.
- Boiler and tank heating through thermostatically protected armoured heating elements (in exchange).
- Tank capacity lt. 17 and boiler capacity lt. 8.
- Water consumption per cycle lt. 3,8 - Water pressure input ATE 1,5-3,0 - Max temperature of inlet water 50°C.
- Tank heating element kW 2,5 - Boiler heating element kW 3,0.
- Washing pump power Hp 0,7.
- Noise level at 1 mt. < 70 dbA.
- Total power kW 3,53.

Note

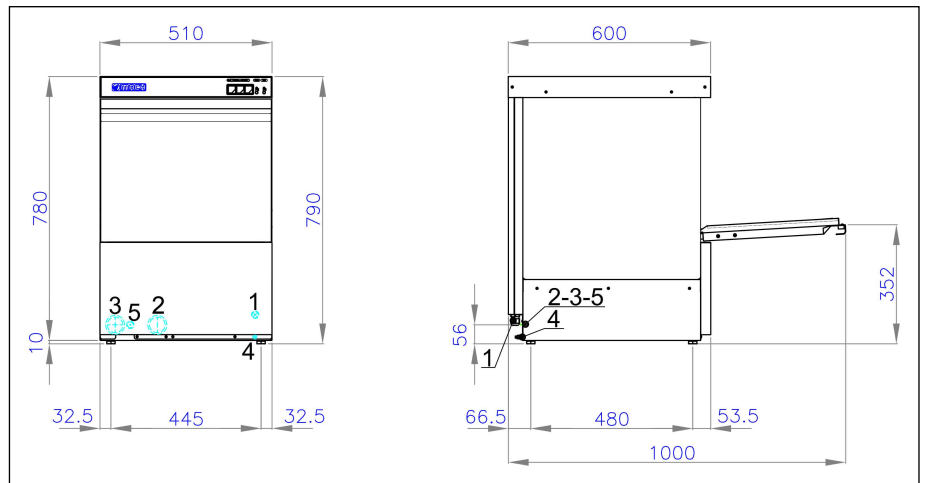


- | | |
|--|------------------------------|
| 1. Power cable entry 3x1,5 (230Vx1-50Hz) | 3. Water loading pipe Ø3/4"G |
| 2. Water drain pipe Ø30 Hmax=6 cm. | 4. Equipotential |
| | 5. Dosing pumps entry |

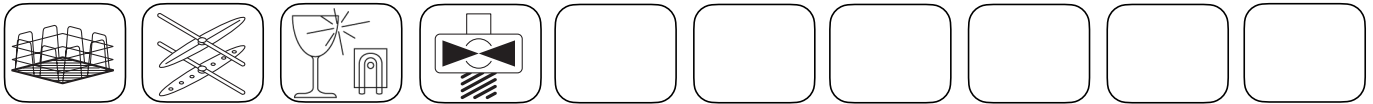


- Single wall.
- Tank with rounded corners.
- Fully automatic operation with electromechanical controls.
- Magnetic microswitch to cut out operation of the appliance when door is opened.
- Useful washing height 33 cm, dish Ø32 (Ø35 cm with basket M246).
- Square basket 45x45 cm. (supplied with 1 plate basket, 1 flat basket, 2 cutlery holders).
- Independent lower/upper washing and rinsing arms.
- Washing cycle time 120-180 seconds (capacity 420-280 pz/h).
- Standard built-in rinse-aid pump.
- Built-in insulated boiler made in AISI 304L stainless steel.
- Boiler and tank heating through thermostatically protected armoured heating elements (in exchange).
- Included drain pump.
- Tank capacity lt. 17 and boiler capacity lt. 8.
- Water consumption per cycle lt. 3,8 - Water pressure input ATE 1,5-3,0 - Max temperature of inlet water 50°C.
- Tank heating element kW 2,5 - Boiler heating element kW 3,0.
- Washing pump power Hp 0,7.
- Noise level at 1 mt. < 70 dbA.
- Total power kW 3,53.

Note

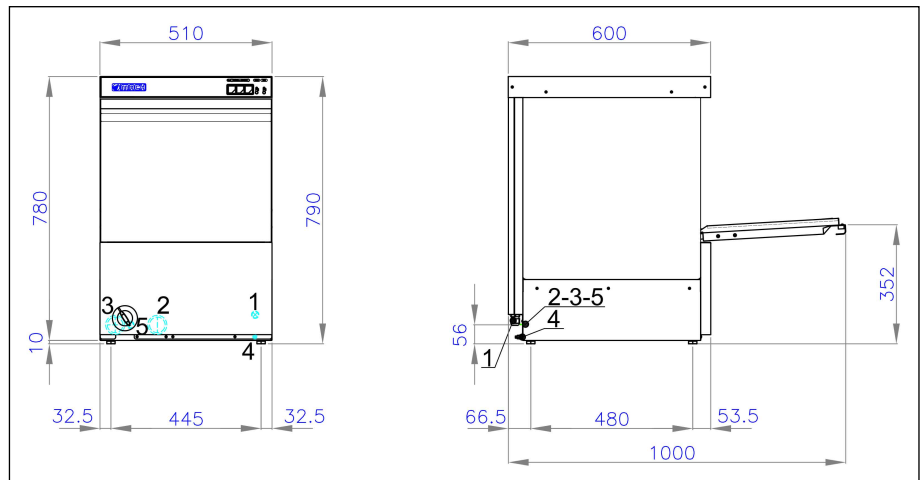


- | | |
|--|------------------------------|
| 1. Power cable entry 5x2,5 (400Vx3N/
230Vx3N/230Vx1-50Hz) | 3. Water loading pipe Ø3/4"G |
| 2. Water drain pipe Ø30 Hmax=6 cm. | 4. Equipotential |
| | 5. Dosing pumps entry |

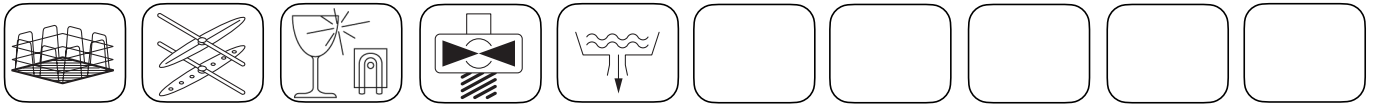


- Single wall.
- Tank with rounded corners.
- Fully automatic operation with electromechanical controls.
- Magnetic microswitch to cut out operation of the appliance when door is opened.
- Useful washing height 33 cm, dish Ø32 (Ø35 cm with basket M246).
- Square basket 45x45 cm. (supplied with 1 plate basket, 1 flat basket, 2 cutlery holders).
- Independent lower/upper washing and rinsing arms.
- Washing cycle time 120-180 seconds (capacity 420-280 pz/h).
- Standard built-in rinse-aid pump.
- Built-in insulated boiler made in AISI 304L stainless steel.
- Boiler and tank heating through thermostatically protected armoured heating elements (in exchange).
- Tank capacity lt. 17 and boiler capacity lt. 8.
- Water consumption per cycle lt. 3,8 - Water pressure input ATE 1,5-3,0 - Max temperature of inlet water 50°C.
- Tank heating element kW 2,5 - Boiler heating element kW 4,5 (Cold water input kW 6,0).
- Washing pump power Hp 0,7.
- Noise level at 1 mt. < 70 dbA.
- Total power kW 5,03.

Note



- | | |
|--|-------------------------------|
| 1. Power cable entry 5x2,5 (400Vx3N/
230Vx3N/230Vx1-50Hz) | 3. Water loading pipe Ø3/4" G |
| 2. Water drain pipe Ø30 Hmax=6 cm. | 4. Equipotential |
| | 5. Dosing pumps entry |



- Single wall.
- Tank with rounded corners.
- Fully automatic operation with electromechanical controls.
- Magnetic microswitch to cut out operation of the appliance when door is opened.
- Useful washing height 33 cm, dish Ø32 (Ø35 cm with basket M246).
- Square basket 45x45 cm. (supplied with 1 plate basket, 1 flat basket, 2 cutlery holders).
- Independent lower/upper washing and rinsing arms.
- Washing cycle time 120-180 seconds (capacity 420-280 pz/h).
- Standard built-in rinse-aid pump.
- Built-in insulated boiler made in AISI 304L stainless steel.
- Boiler and tank heating through thermostatically protected armoured heating elements (in exchange).
- Included drain pump.
- Tank capacity lt. 17 and boiler capacity lt. 8.
- Water consumption per cycle lt. 3,8 - Water pressure input ATE 1,5-3,0 - Max temperature of inlet water 50°C.
- Tank heating element kW 2,5 - Boiler heating element kW 4,5 (Cold water input kW 6,0).
- Washing pump power Hp 0,7.
- Noise level at 1 mt. < 70 dbA.
- Total power kW 5,03.

Note